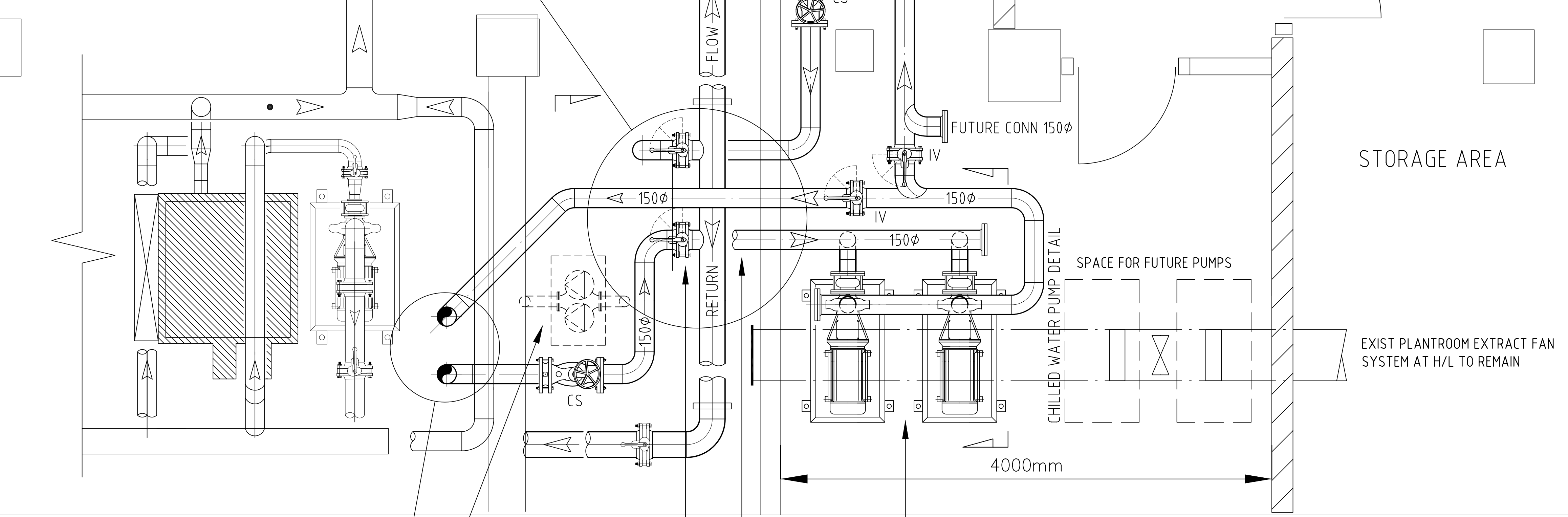
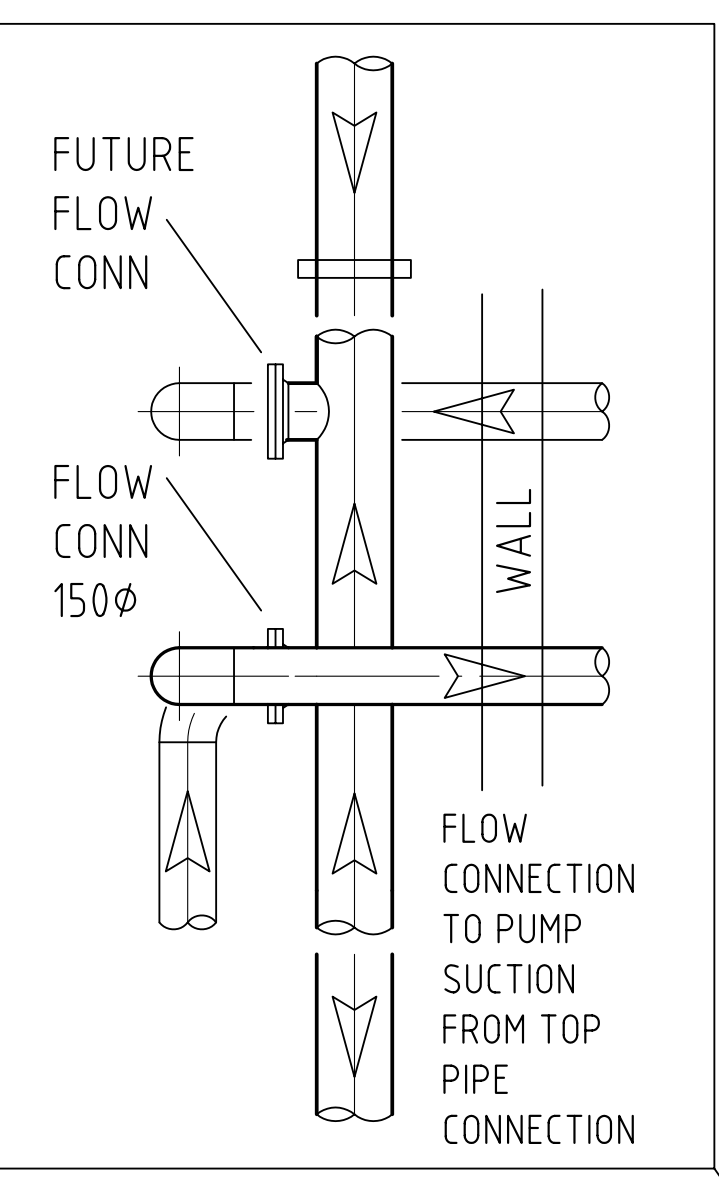
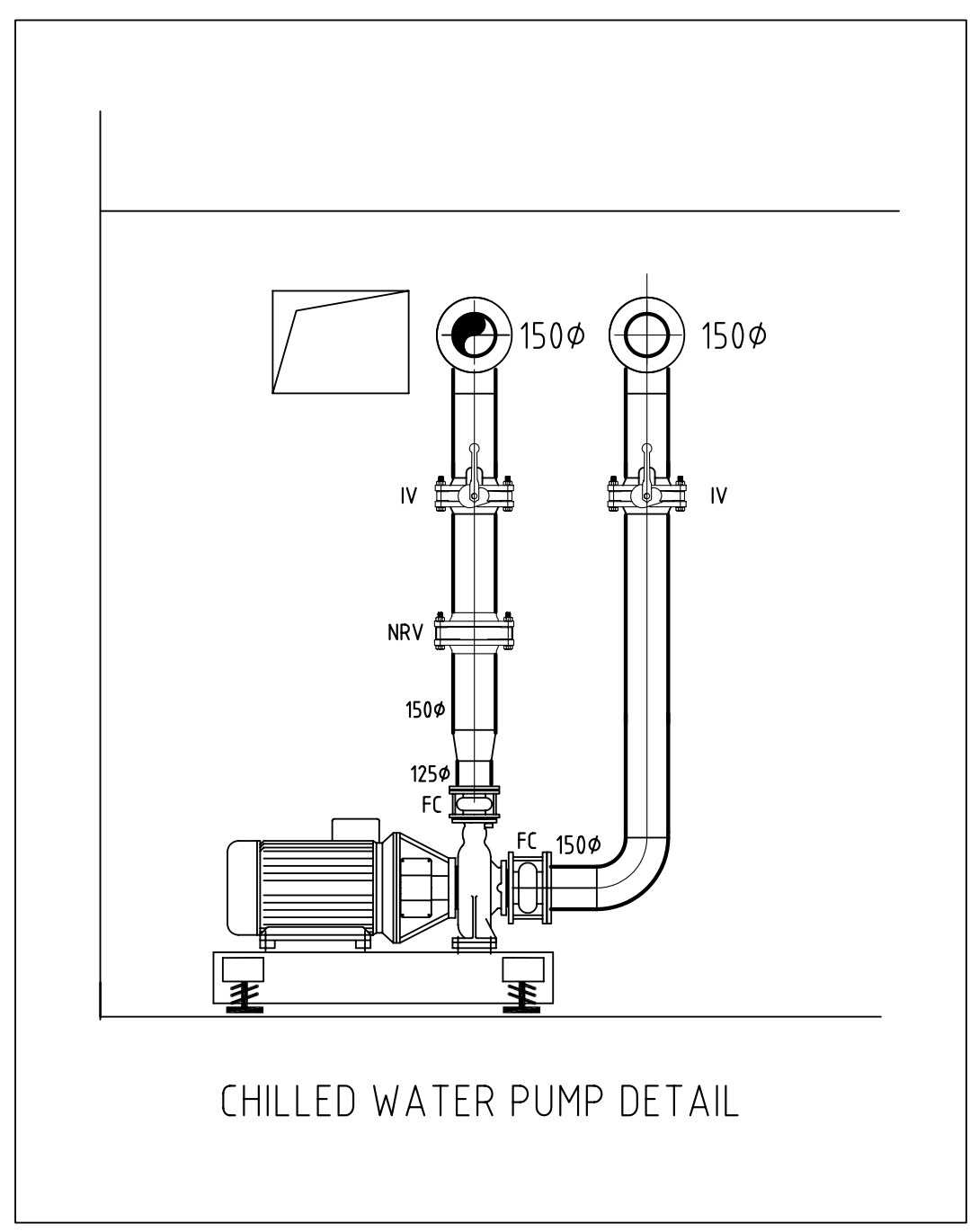
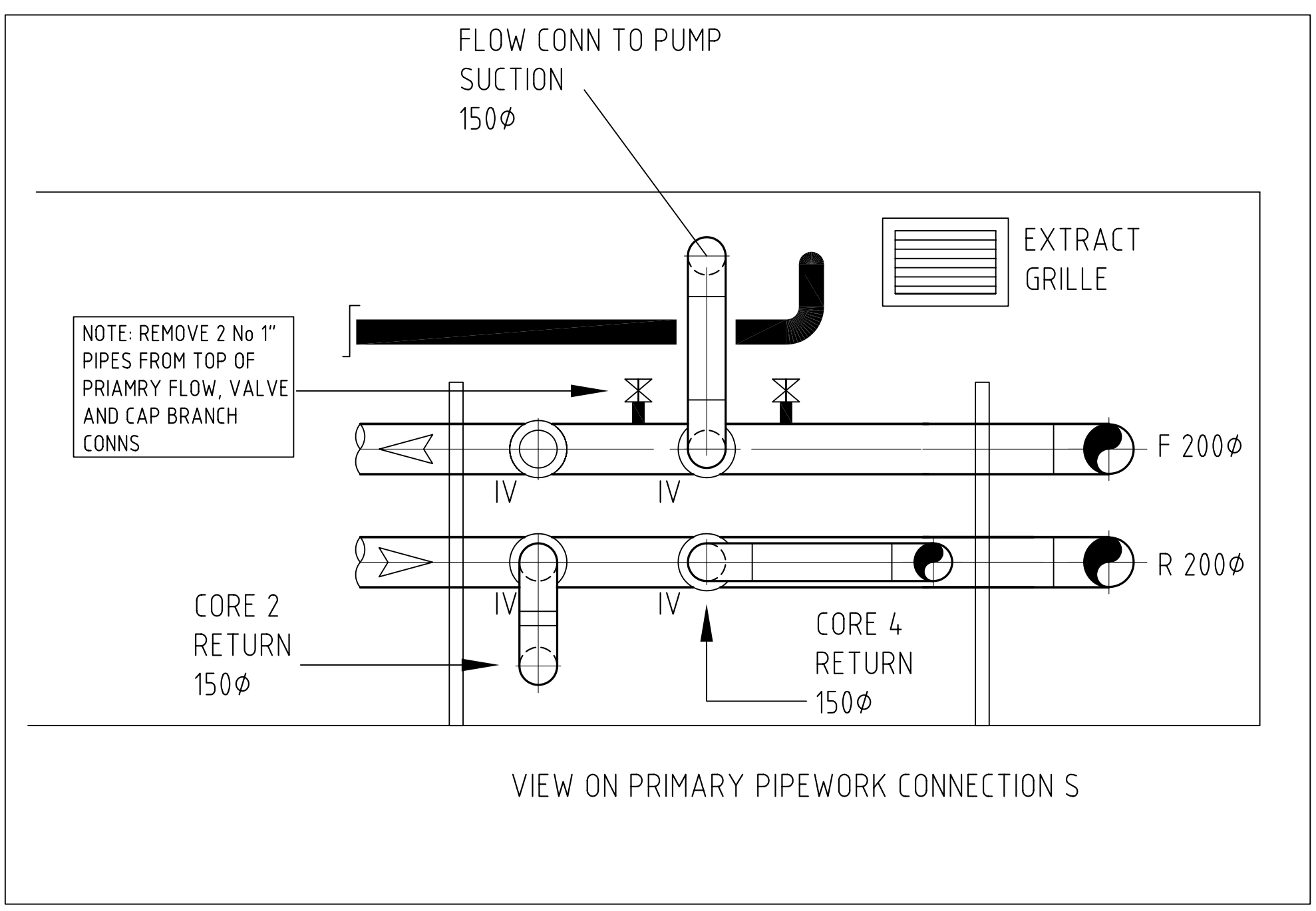


THIS DRAWING IS THE PROPERTY OF R.A. FORD LTD AND AS SUCH MAY NOT BE COPIED OR COMMUNICATED TO A THIRD PARTY WITHOUT WRITTEN AUTHORISATION  
DO NOT SCALE FROM THIS DRAWING: IF IN DOUBT ASK

CORE 4 RISER

EXACT ROUTE DETERMINED ON SITE PIPEWORK AT H/L



NEW CH.W F&R 150φ THRO SLAB TA/FA INTO BASEMENT LEVEL 1. SUPPLYING CORE 4. FLOORS 1-9

EXISTING HEATING PUMP SET TO BE REMOVED AFTER NEW INFRASTRUCTURE WORKS

NEW CH.W F&R 150φ CONNECT TO PRIMARY CH.W RING MAIN WITH ISOLATION VALVE ON FLOW AND COMMISSIONING VALVE ON RETURN

NEW PRIMARY CHILLED WATER PUMPS. CORE 2 & 4

PUMP SUCTION CONNECTS TO EXISTING FLANGE ON PRIMARY FLOW (TOP PIPE) AND RUNS AT H/L

Rev	Description	Date
R	RECORD DRAWING	09/08/07

consultant  
JOHN NOAD (Building Environment) Ltd

project  
DEVONSHIRE HOUSE  
LONDON W1

**R.A. FORD Ltd**  
H.V.A.C BUILDING SERVICES ENGINEERS  
Unit 6, Canons Road, Canon Industrial Estate, Old Wolverton  
Milton Keynes, Bucks MK12 5TL  
T 01908 221007 F 01908 221300 E raford.rod@tiscali.co.uk

drawing title  
INFRASTRUCTURE WORKS  
BASEMENT LEVEL 2  
NEW CH.W PUMP ROOM  
NEW RISERS CORES 2 & 4

Scale 1:20 @ A0 Drawn RF/MK  
Date AUG 07 Checked RF

drawing number revision  
RAF/M/03 R

drawing status  
**RECORD DRAWING**